

# AENOR Product Certificate

## Clay products for construction



**034/001016**

AENOR, Spanish Association for Standardization and Certification, certifies that the organization

### **TEJAS BORJA, S.A.U.**

registered office	CR LLIRIA A PEDRALBA KM 3 46160 LLIRIA (Valencia - España)
supplies	Clay roofing tiles and fittings
in compliance with	UNE-EN 1304:2014 (EN 1304:2013)
Nº Technical Form	0240203 (see annexe)
Production site	CR LLIRIA A PEDRALBA KM 3 46160 LLIRIA (Valencia - España)
Certification scheme	This Certificate has been granted in accordance with the stipulations of the Specific Rules RP 34.02

This certificate supersedes 034/001016, dated 2015-01-16

First issued on	2009-06-30
Modified on	2016-09-12
Validity date	2021-09-12

  
AENOR Asociación Española de  
Normalización y Certificación


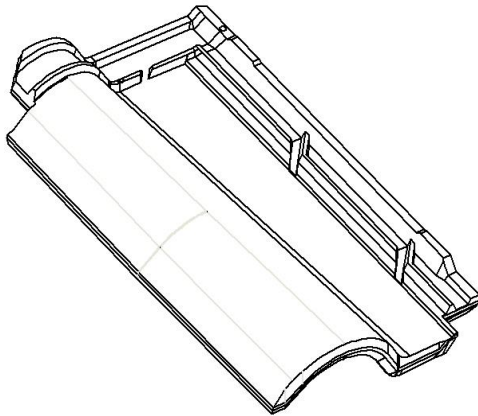
Avelino BRITO  
Chief Executive Officer

**AENOR** Asociación Española de  
Normalización y Certificación

Génova, 6. 28004 Madrid. España  
Tel. 902 102 201 – www.aenor.es

## AENOR TRADE MARK FOR CLAY ROOFING TILES AND FITTINGS

### TECHNICAL FORM N°: 0240203

MANUFACTURER:		TEJAS BORJA, S.A.U		<b>AENOR</b>  Producto Certificado				
MADE IN:		LLIRIA (VALENCIA)						
TILE DESCRIPTION:		CLAY ROOF TILE WITH SIDELock AND HEADLOCK EN 1304						
BRAND NAME:		TB-12®						
STATED CHARACTERISTICS			VALUES RULES FROM AENOR					
REQUIRED			Structural faults (% faults)	EN 1304	≤ 2,5			
Nominal dimensions (mm)								
	Length	Width	Length tolerance (%)	EN 1024	± 2,0			
Individuals	X	439				Width tolerance (%) (not applicable in Over and Under tiles)	± 2,0	
Overlap								
Over and Under Tiles			Uniformity of the transverse profile (mm) (Only for Over and Under Tiles)	EN 1024	≤ 15			
	Maximum width	Minimum width						
	-	-						
Impermeability			Camber/Twist (%)	EN 539-1	≤ 1,5			
Category 1	X	Test method 1				X		
Category 2		Test method 2						
Frost resistance			L > 300 mm		≤ 2,0			
Level 1 (n° cycles without damages ≥ 150)		X	L ≤ 300 mm					
Level 2 (n° cycles without damages ≥ 90)								
OPTIONAL CHARACTERISTICS ANNEX D RP 34.02			Impermeability (cm <sup>3</sup> /cm <sup>2</sup> x d)	D.2 RP 34.02	N/A			
	YES	NO						
Impermeability (D.2 RP 34.02)		X						
Frost Resistance (D.3 RP 34.02)		X						
TILE SKETCH			Flexural strenght (N)	EN 538	≥ 1200			
						Frost resistance (cycles)	EN 539-2	≥ 150
			D.3 RP 34.02	N/A				
			Fire reaction performance	EN 13501-1	A1			
			External fire performance	EN 13501-5	Broof			
			Additional information given by the manufacturer <sup>(1)</sup>			Unitary mass (in grams): 3150		
						Roof tiles number in m <sup>2</sup> (with one decimal): 12,8		
						Length distance between battens (cm): 37,5		
			Surface finish:			Red, Aged red, Fosca, Manoir, Vilavella, Rosarena, Lamalou, Bidasoa, Brown, Castilla, Black, Soil Centenaria, Mediterranean Centenaria		
			Mass coloration:			Brown		
			Fixing types:			Nail		
Further information:			Assembly according to UNE 136020					
Accessories:			Circular 3 ways, Cover + 3 ways, Circular 4 ways, Cover + 4 ways, Universal eave closure, Circular ridge, Cover + ridge, D.130 universal chimney, Universal under ridge, Tb-12 pan decocurva roof tile, Tb-12 cover decocurva roof tile, 2/3 tb-12 roof tile, 2/3 tile and a half tb-12 roof tile, Circular hip starter, Cover + hip starter, Universal angular edge, Universal straight edge, Half tb-12 roof tile, Tb-12 chimney carrier, Universal circular curved end cap, Universal cover + curved end cap, Universal circular straight end cap, Cover + universal straight end cap, Universal ventilation cap, Tile and a half tb-12 roof tile, Tb-12 ventilation roof tile, Universal curved edges					

<sup>(1)</sup> AENOR is not responsible for the information in this square, the responsibility is exclusively and only for the manufacturer's.