

AENOR Product Certificate

Clay products for construction



034/001710

AENOR, Spanish Association for Standardization and Certification, certifies that the organization

TEJAS BORJA, S.A.U.

registered office	CR LLIRIA A PEDRALBA KM 3 46160 LLIRIA (Valencia - España)
supplies	Clay roofing tiles and fittings
in compliance with	UNE-EN 1304:2014 (EN 1304:2013)
Nº Technical Form	0240222 (see annexe)
Production site	CR LLIRIA A PEDRALBA KM 3 46160 LLIRIA (Valencia - España)
Certification scheme	This Certificate has been granted in accordance with the stipulations of the Specific Rules RP 34.02

This certificate supersedes 034/001710, dated 2015-01-16

First issued on	2010-07-06
Modified on	2016-09-12
Validity date	2021-09-12


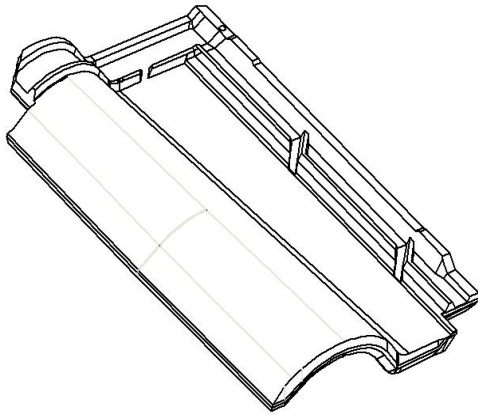

AENOR Asociación Española de
Normalización y Certificación
Avelino BRITO
Chief Executive Officer

AENOR Asociación Española de
Normalización y Certificación

Génova, 6. 28004 Madrid. España
Tel. 902 102 201 – www.aenor.es

AENOR TRADE MARK FOR CLAY ROOFING TILES AND FITTINGS

TECHNICAL FORM N°: 0240222

MANUFACTURER:		TEJAS BORJA, S.A.U		AENOR  Producto Certificado			
MADE IN:		LLIRIA (VALENCIA)					
TILE DESCRIPTION:		CLAY ROOF TILE WITH SIDELOCK AND HEADLOCK EN 1304					
BRAND NAME:		TB-12® BORJAdecor®					
STATED CHARACTERISTICS		VALUES RULES FROM AENOR					
REQUIRED		Structural faults (% faults)	EN 1304	≤ 2,5			
Nominal dimensions (mm)					Length tolerance (%)	± 2,0	
	Length	Width	EN 1024	≤ 15			
Individuals	X	439			260		
Overlap				± 2,0			
Over and Under Tiles		Width tolerance (%) (not applicable in Over and Under tiles)	Uniformity of the transverse profile (mm) (Only for Over and Under Tiles)		≤ 1,5		
	Maximum width			Minimum width		EN 539-1	
	-	-	D.2 RP 34.02	N/A			
Impermeability		Impermeability (cm ³ /cm ² x d)			Mean value	≤ 0,5	
Category 1	X		Test method 1	X			
Category 2		Test method 2		≤ 0,6			
Frost resistance		Camber/Twist (%)	L > 300 mm	≤ 2,0			
Level 1 (n° cycles without damages ≥ 150)					X	L ≤ 300 mm	
Level 2 (n° cycles without damages ≥ 90)				≤ 2,0			
OPTIONAL CHARACTERISTICS ANNEX D RP 34.02							
		YES	NO	Impermeability (cm ³ /cm ² x d)			
Impermeability (D.2 RP 34.02)			X		Mean value		
Frost Resistance (D.3 RP 34.02)			X	Individual value			
				Mean value			
				Individual value			
				D.2 RP 34.02			
				N/A			
TILE SKETCH							
 <p style="text-align: center;">Piece without water repellent treatment</p>		Flexural strenght (N)		EN 538	≥ 1200		
		Frost resistance (cycles)		EN 539-2		≥ 150	
				D.3 RP 34.02		N/A	
		Fire reaction performance		EN 13501-1		A1	
		External fire performance		EN 13501-5		Broof	
		Additional information given by the manufacturer ⁽¹⁾					
		Unitary mass (in grams):		3150			
		Roof tiles number in m ² (with one decimal):		12,8			
Length distance between battens (cm):		37,5					
Surface finish:	Sieving, Glazed, Glass, Metallic						
Mass coloration:							
Fixing types:	Nail						
Further information:	Assembly according to UNE 136020						
Accessories:							
Circular 3 ways, Cover + 3 ways, Circular 4 ways, Cover + 4 ways, Universal eave closure, Circular ridge, Cover + ridge, D.130 universal chimney, Universal under ridge, Tb-12 pan decocurva roof tile, Tb-12 cover decocurva roof tile, 2/3 tb-12 roof tile, 2/3 tile and a half tb-12 roof tile, Circular hip starter, Cover + hip starter, Universal angular edge, Universal straight edge, Half tb-12 roof tile, Tb-12 chimney carrier, Universal circular curved end cap, Universal cover + curved end cap, Universal circular straight end cap, Cover + universal straight end cap, Universal ventilation cap, Tile and a half tb-12 roof tile, Tb-12 ventilation roof tile, Universal curved edges							

⁽¹⁾ AENOR is not responsible for the information in this square, the responsibility is exclusively and only for the manufacturer's.