

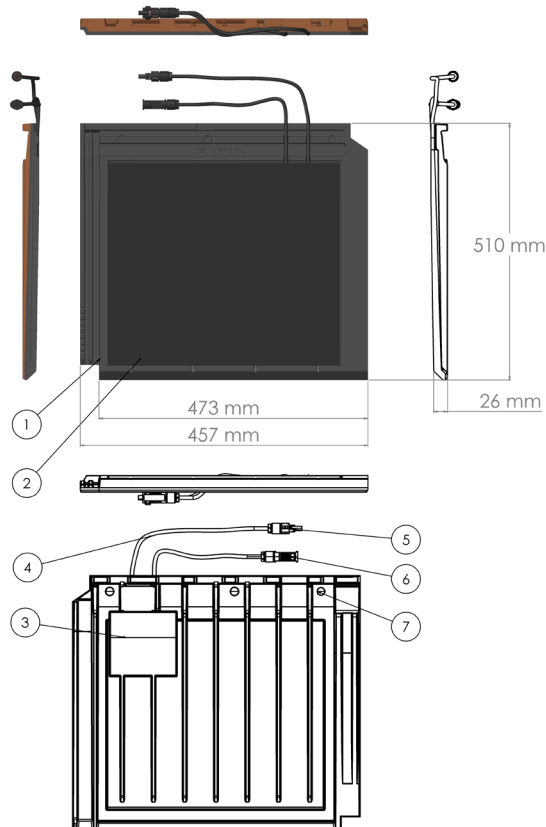


Roof & Plug

SOLAR FLAT-5XL Ceramic Roof Tile MONOCRYSTALLINE

SOLAR Flat-5XL ceramic roof tiles are the only large ceramic tiles with an **integrated solar energy system**. They are ideal for providing a reliable supply of solar energy. Thanks to the integration of the solar panel into the tile, the tiles provide all the benefits of a roof made from ceramic tiles in terms of watertightness, without any risk of deterioration or oxidation.

The perfect integration is completed with the **FLAT-5XL ceramic roof tiles** and their clay accessories in the installation of the roof or facade.



Key box:

- 1 - Flat-5XL ceramic support
- 2 - Photovoltaic panel
- 3 - Junction box ceramic housing
- 4 - Connection cables
- 5 - MC4 connector (+) positive terminal
- 6 - MC4 connector (-) negative terminal
- 7 - Holes for fixing to the batten*

* Requires 2 screws for fixing to the batten (per solar tile unit): diameter from 3,5 to 4,2 / thread length 45 - 55 mm, depending on the batten type.

tejasborja.com

Technical data can be modified at any time without prior notice. Possible errors are not ruled out. Always check the latest version on the website.

Characteristics: SOLAR FLAT-5XL Ceramic Roof Tile - MONOCRYSTALLINE

Dimensions:	457 x 510 mm	Temperature coefficient of P_{max} (δ):	-0,38 %/K
Individual weight:	7,50 kg.	Temperature coefficient V_{oc} (β):	-0,30 %/K
Finish:	LEON MATTE / CRISTAL FULL-BLACK	Temperature coefficient I_{sc} (α):	0,043 %/K
Cell type:	Monocrystalline	Maximum system voltage:	600 V (IEC)
Base:	Flat-5XL ceramic roof tile	Maximum series fuse rating (I_{sp}):	5 A
Fixing system:	3 pre-drilled holes (batten fixing – min. 2 places)	Operating temperature:	-40 °C a 85 °C.
Panel dimensions:	410 x 360 mm (320 x 360 mm useful area)	Standard**:	IEC 61646 - IEC 61730
Equivalence to ceramic tiles:	1 Flat-5XL roof tile	Front glass panel:	4 mm. tempered glass
Placing:	Depending on the Flat-5XL roof tile *	Backsheet:	Combination of polymers
Connection:	Mixed (series – parallel)	Junction box:	IP 67
Maximum power (P_{max}):	24 Wp	Connectors:	MC4 or compatible connectors
Maximum power tolerance:	-5% / +5 %	DC cable:	4,0 sq. mm., (12 AWG)
Maximum power current (I_{mpp}):	1,9 A	DC cable length:	2 x 470 mm
Maximum power voltage (V_{mpp}):	12,75 V	Units /sq. m.:	5,85 – 5,50 units
Short circuit current (I_{sc}):	2,05 A	Maximum power/sq. m.***:	143,26 Wp/sq. m.
Open circuit voltage (V_{oc}):	15,16 V	sq. m. – 1 kWp:	6,98 sq. m.
		Units/kWp:	41,32 units

All measurements are approximate.

Note: The SOLAR FLAT-5XL roof tile has an entirely black (FULL-BLACK), anti-reflective finish, with none of the typically visible connections. It is entirely compatible with the FLAT-5XL ceramic tile (see available finishes on the Tejas Borja website).

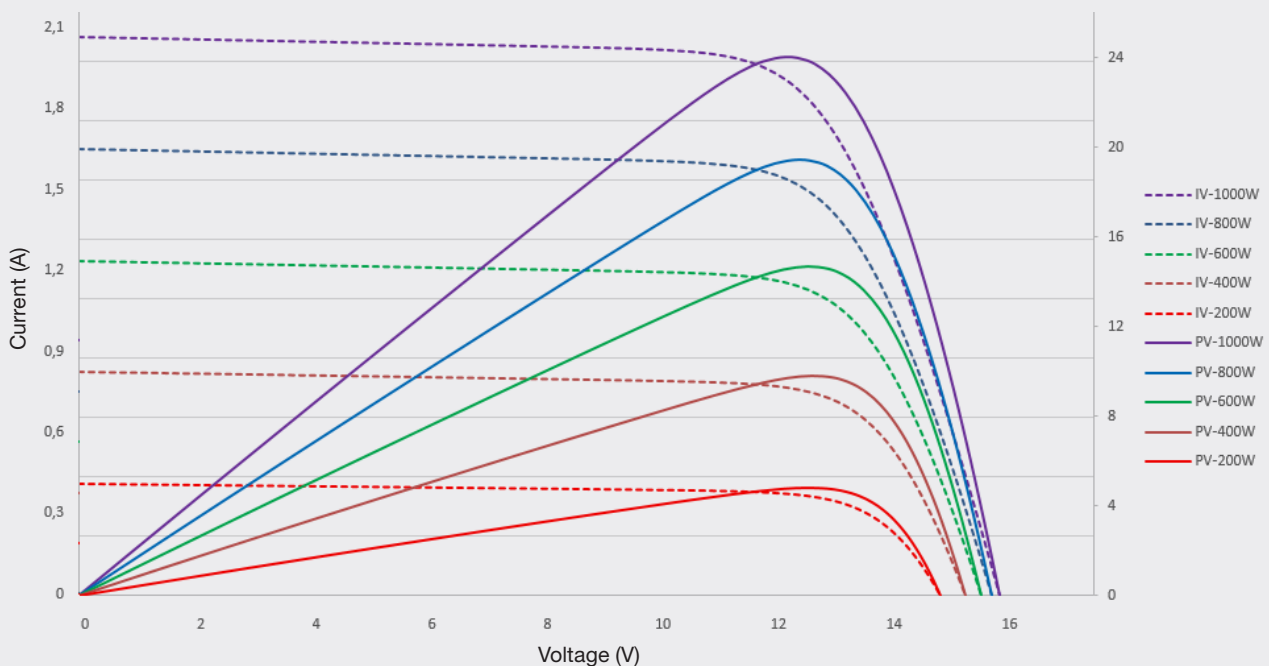
* SOLAR Flat-5XL Ceramic Tile must always be installed on ventilated roofs using a double batten system or equivalent.

** Depending on batten spacing.

*** The certification process is pending.

STC standard conditions: irradiance = 1,000 W/sq. m.; cell temperature = 25°C; AM = 1,5.

Voltage curve I-V and P-V curves at different irradiance levels.



tejasborja.com

Technical data can be modified at any time without prior notice. Possible errors are not ruled out. Always check the latest version on the website.